



Data sheet - DUO 3

**DUO 3, 1-phase motor, 115/230 V,
50/60 Hz**

**Dual-stage, high-performance rotary vane pump with a pumping
speed of 2.5 m³/h at 50 Hz / 2.9 m³/h at 60 Hz**

DUO 3, 1-phase motor, 115/230 V, 50/60 Hz

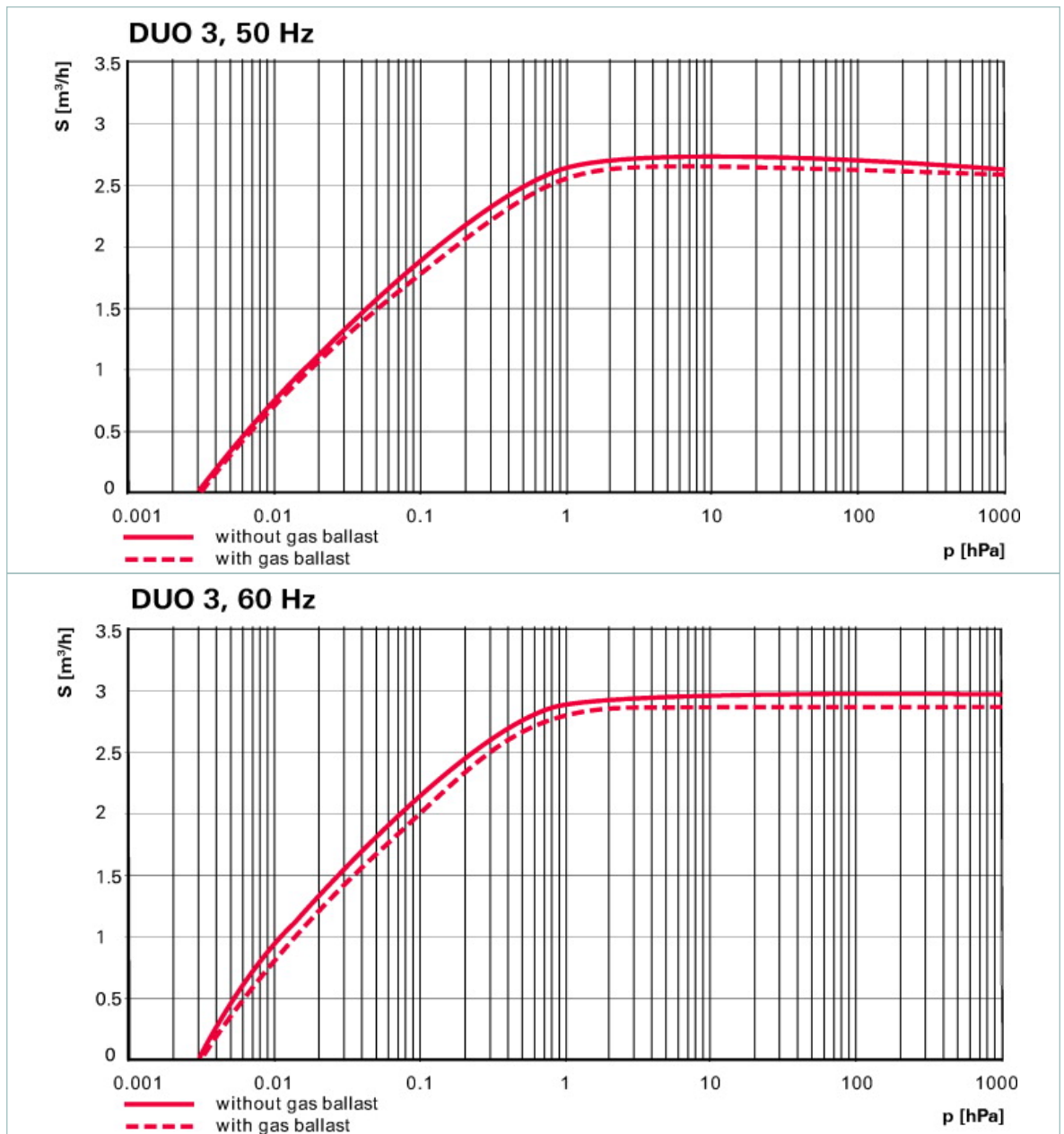
DUO 3



[Similar Image](#)

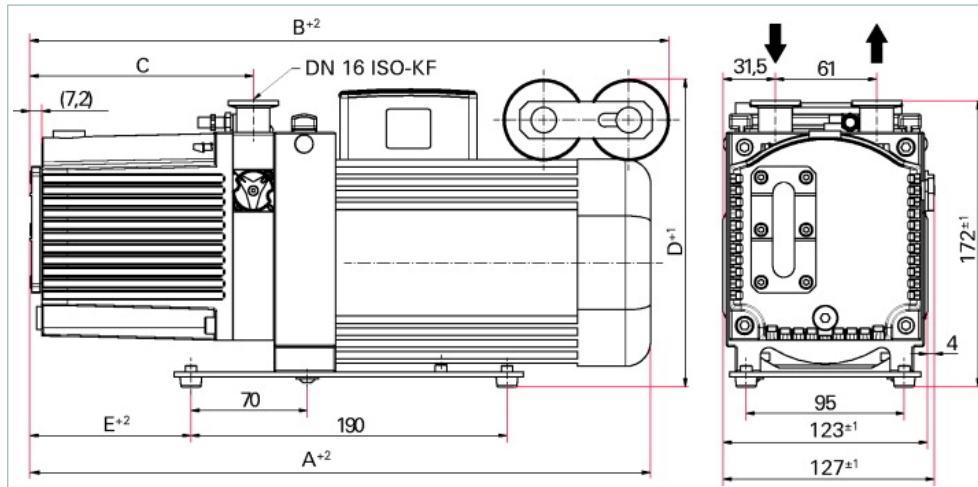
- Dual-stage, high-performance rotary vane pump with a pumping speed of 2.5 m³/h at 50 Hz / 2.9 m³/h at 60 Hz
- With Single-phase motor
- Integrated gas ballast and safety valve
- For all low and medium vacuum applications
- Optional with magnetic coupling
- Special feature: Various motor voltages for worldwide employment

Characteristics



DUO 3, 1-phase motor, 115/230 V, 50/60 Hz

Dimensions



A	309 mm
B	344 mm
C	123 mm
D	176 mm
E	85.5 mm

Technical Data

DUO 3, 1-phase motor, 115/230 V, 50/60 Hz

Ambient temperature	12-40 °C
Cooling method, standard	Air
Emission sound pressure level without gas ballast at 50 Hz	<= 53 dB (A)
Exhaust pressure, max.	1500 hPa
Exhaust pressure, min.	250 hPa
Flange (in)	DN 16 ISO-KF
Flange (out)	DN 16 ISO-KF
Leak rate safety valve	<= 1 · 10 ⁻⁵ Pa m ³ /s
Mains requirement: voltage (selectable)	230 V
Mains requirement: voltage 50 Hz	115 V
Mains requirement: voltage 60 Hz	115 V
Operating fluid	P3
Operating fluid filling	0.4 l
Protection category	IP 55
Pumping speed at 50 Hz	2.5 m ³ /h
Pumping speed at 60 Hz	2.9 m ³ /h
Rated power 50 Hz	0.15 kW
Rated power 60 Hz	0.18 kW
Rotation speed at 50 Hz	3000 min ⁻¹
Rotation speed at 60 Hz	3600 min ⁻¹
Switch	yes
Ultimate pressure with gas ballast	3 · 10 ⁻³ hPa
Ultimate pressure without gas ballast	3 · 10 ⁻³ hPa
Weight	11.5 kg

Order number

PKD57711

DUO 3, 1-phase motor, 115/230 V, 50/60 Hz

Accessories DuoLine®;

KAS 16, condensate separator for pumping speeds from 1.6 to 12 m ³ /h	PKZ10003
Oil return unit from ONF 16 M to DUO 1.6, 3	PK006080-T
Oil return unit from ONF 16 S to DUO 1.6 / DUO 3	PK005986-T
ONF 16 M, oil mist filter for pumping speeds of up to 12 m ³ /h	PKZ40003
ONF 16 S, oil mist filter for pumping speeds up to 12 m ³ /h	PKZ40001
Operations monitoring unit 1 for DUO 1.6/3/6/11 and DUO 5/10/20 M	PK196157-T
Operations monitoring unit 2 for DUO 1.6/3/6/11 and DUO 5/10/20 M	PK196142-T
Operations monitoring unit 3 for DUO 1.6/3/6/11 and DUO 5/10/20 M	PK196141-T
SAS 16, DN 16 ISO-KF, polyester filter	PKZ60506
ZFO 16, zeolite trap	PKZ70003

Consumables

	DUO 3, 1-phase motor, 115/230 V, 50/60 Hz
P3, mineral oil, 1 l	PK001106-T
P3, mineral oil, 0.5 l	PK001136-T

**Vacuum solutions
from a single source**

Pfeiffer Vacuum stands for innovative and custom vacuum solutions worldwide, technological perfection, competent advice and reliable service.

**Complete range
of products**

From a single component to complex systems:
We are the only supplier of vacuum technology
that provides a complete product portfolio.

**Competence in
theory and practice**

Benefit from our know-how and our portfolio of training
opportunities! We support you with your plant layout
and provide first-class on-site service worldwide.

**Are you looking for a
perfect vacuum solution?
Please contact us:**

Pfeiffer Vacuum GmbH
Headquarters · Germany
T +49 6441 802-0
info@pfeiffer-vacuum.de
www.pfeiffer-vacuum.com